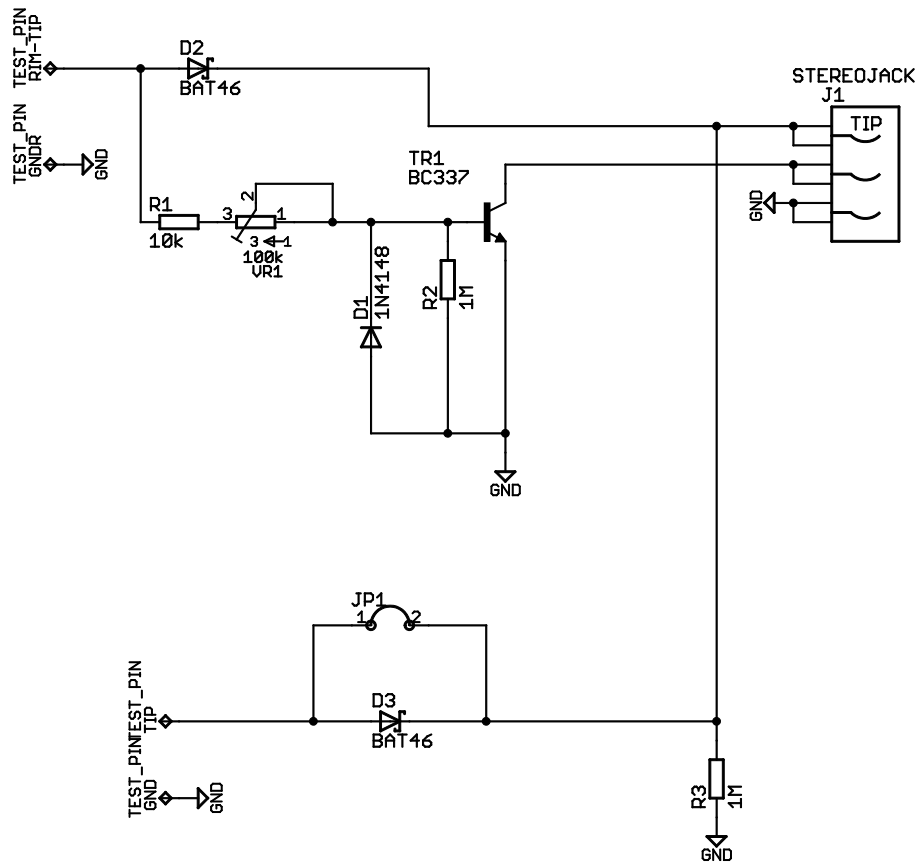


For non-commercial purposes only
Provided "as is" without warranty of any kind



Key Design Electronics Ltd.

TITLE: Dual piezo to piezo/FSR converter

Document Number:
DKDI-21

REV:
E

Date: 07/03/2007 16:42:54

Sheet: 1/1